

***DT*** ***SWISS***

**SKF Wiper Seal Kit**

**User Manual**

V2015.06

## General

By mounting the wiper seals included in this kit, the response characteristics of the fork improves significantly. The system is more effectively protected against dirt, while the friction between stanchion and wiper is reduced.

The wiper seals must only be used in combination with DT Swiss forks. The wiper seals included in this kit do not fit to DT Swiss EXC and XMC forks.

The fork must not be used if there are any signs of damage. If in any doubt, consult your retailer or your local DT Swiss service center.

The following points are essential for a faultless function:

- Assembly must be done by an expert trained by DT Swiss. Otherwise the user shall assume full responsibility.
- Assembly must be carried out strictly according to this manual.
- Assembly must be carried out using the special tool and the material listed in the instruction (see backside).
- During assembly, a high degree of diligence and cleanliness is necessary.

## Service and Care

| Action  | Interval                               |
|---|--|
| Big fork service by a DT Swiss service center   | annually or after 200 operating hours* |
| Small fork service<br>(see technical manual at <a href="http://www.dtswiss.com">www.dtswiss.com</a> )   | 50 operating hours*                    |
| Check the fork for damages and faultless function   | before and after each ride             |
| Clean with a soft cloth and a suitable cleaner, especially in the area of the wiper seals<br>Do not use high pressure cleaners and aggressive cleaners! | after each ride                        |

\*If you use your bike in extreme conditions, you will have to service your fork sooner.

For more information and trouble shooting regarding maintenance refer to [www.dtswiss.com](http://www.dtswiss.com).

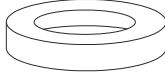
## Scope of Delivery

The SKF wiper seal kit (DT Swiss Art.No. FWKXXXXXXXXXX03718S) includes:

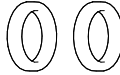
2x Wiper Seal



2x Foam Ring



2x O-Ring Connecting Piece



1x User Manual

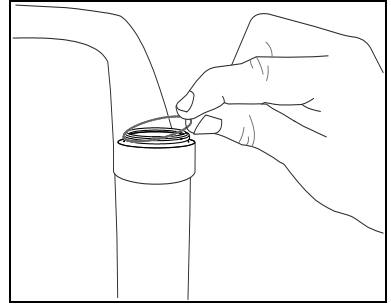


# Dismounting the Wiper Seals

**Preparatory Steps:** Dismount the lower unit.  
(see technical manual at [www.dtswiss.com](http://www.dtswiss.com))

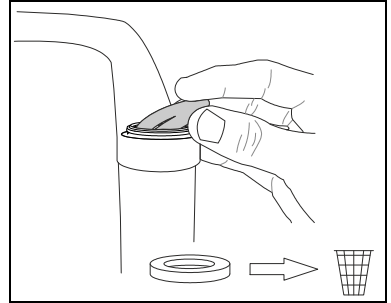
**Required Material:** metal tire lever or similar

**1.** If present, remove spring rings from both wiper seals.



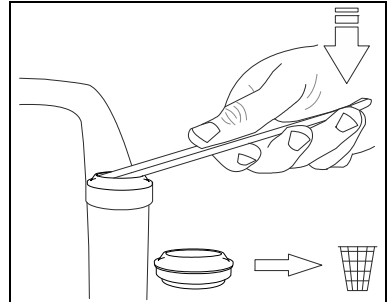
**2.** Remove both foam rings below the wiper seals.  
The foam rings must be replaced on every service.

**3.** Dispose the used foam ring.



**4.** Lever out the wiper seal using a metal tire lever.  
Caution: The lower unit must not be damaged.  
Remove the spring rings before dismounting the wiper seals.

**5.** Dispose the used wiper seal.

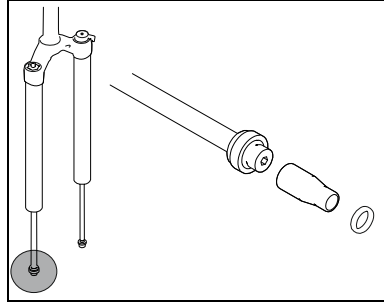
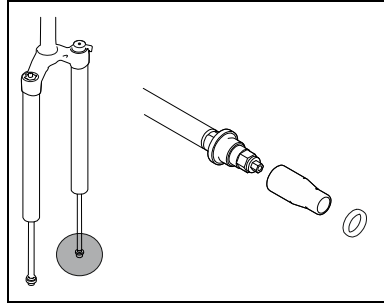


**6.** Repeat steps for removing the second wiper seal.

## Changing the O-Rings of the Connecting Pieces

**Required Material:** O-ring protection tool  
(DT Swiss Part No. FXTXXXXNXXXX126185)

1. Remove the O-ring from the connecting piece on the side of the damping unit.
2. Put the O-ring protection tool onto the thread of the connecting piece.
3. Slide the new O-ring onto its seat on the connecting piece.
4. Remove the tool.
5. Remove the O-ring from the connecting piece on the side of the air spring.
6. Put the O-ring protection tool onto the thread of the connecting piece.
7. Slide the new O-ring onto its seat on the connecting piece.
8. Remove the tool.



# Mounting the Wiper Seals



## CAUTION

The wiper seals included in this kit do not fit to DT Swiss EXC and XMC forks.

**Preparatory Steps:** Dismount the wiper seals.

**Required Material:** wiper seal mounting tool  
(DT Swiss Part No. FWTXXXXXXXXX0130895)

plastic hammer

DT Swiss Lube Fluid  
(DT Swiss Part No.4064XXXXXXXXX000026)

cleaner  
(Motorex Rex, Motorex Swissclean, Motorex OPAL 2400, 3000, 5000 or mild soap water)

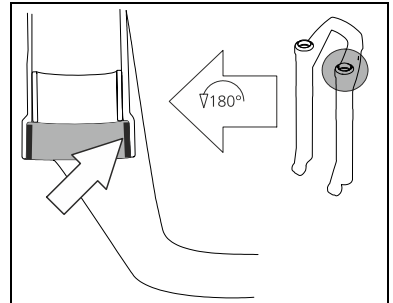
sandpaper (grade 150)

**1.** Hold the lower unit upside down.

Holding the lower unit upside down prevents dirt from getting into the lower unit while grinding.

**2.** Slightly grind the seats of both wiper seals using grade 150 sandpaper.

All rubber abrasion should be removed.



**3.** Clean the lower unit with an appropriate cleaner.

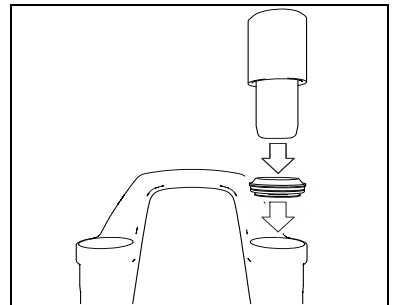
If you are using soap water, flush the lower unit with clear water after cleaning. There must be no residual moisture inside the lower unit before re-mounting.

**4.** Slide the new wiper seal onto the mounting tool.

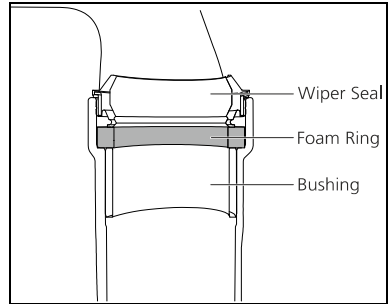
**5.** Slide the mounting tool and the wiper seal into the lower unit.

**6.** Carefully tap in the wiper seal using a plastic hammer.

**7.** Remove the mounting tool from the wiper seal.



8. Put a new, in DT Swiss Lube Fluid soaked foam ring between the bushing and the wiper seal.



9. Repeat steps for mounting the second wiper seal.
10. Leave the lower unit for minimum 15 minutes and allow the wiper seals to seat.
11. Check for correct seating of the wiper seals.  
If the wiper seals come up more than 2 mm, contact a DT Swiss service center.

**Closing Steps:**

Mount the lower unit.  
(see technical manual at [www.dtswiss.com](http://www.dtswiss.com))





DT Swiss AG  
Längfeldweg 101  
CH - 2504 Biel/Bienne  
E-mail: mail@dtswiss.com

DT Swiss, Inc.  
2493 Industrial Blvd.  
USA - Grand Junction, CO 81505  
E-mail: info@dtswiss-us.com

DT Swiss (France) S.A.S.  
Parc d'Activites de la SARREE  
Route de Gourdon  
F - 06620 Le Bar sur Loup  
E-Mail: service.fr@dtswiss.com

DT Swiss (Asia) Ltd.  
No. 26, 21st Road Industrial Park  
Taichung City  
E-mail: info@dtswiss-asia.com

[www.dtswiss.com](http://www.dtswiss.com)

Subject to technical alterations, errors and  
misprints excepted. All rights reserved.

© by DT Swiss AG